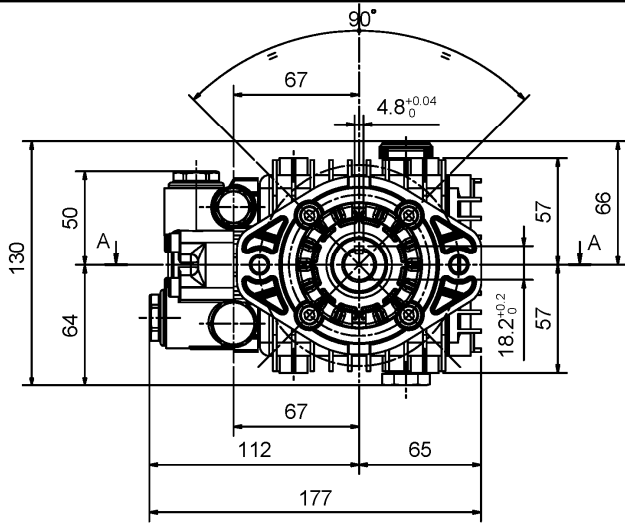
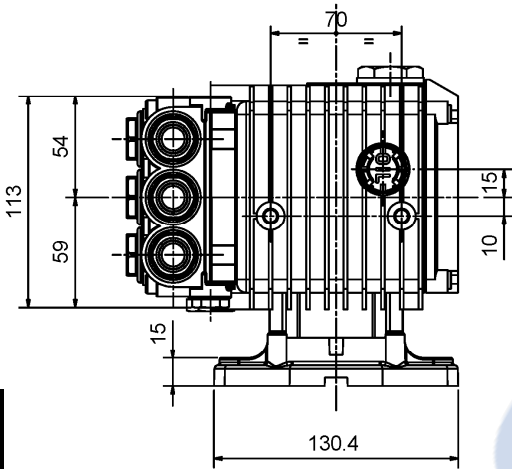
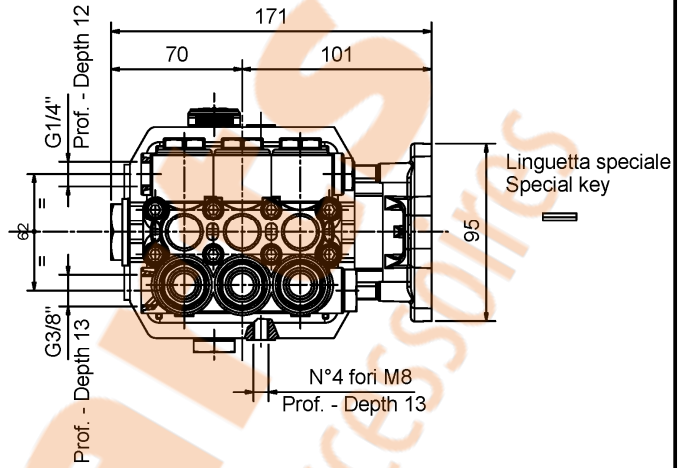


**DIMENSIONI D'INGOMBRO – OVERALL DIMENSIONS – DIMENSIONS D'ENCOMBREMENT
RAUMBEDARF – DIMENSIONES TOTALES – DIMENSÕES**

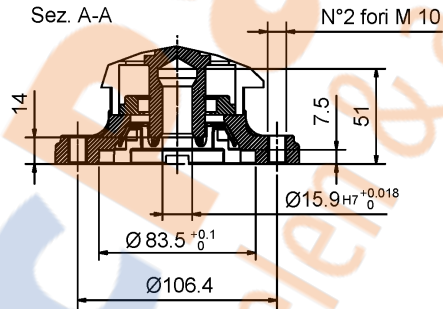


OUTLET

INLET

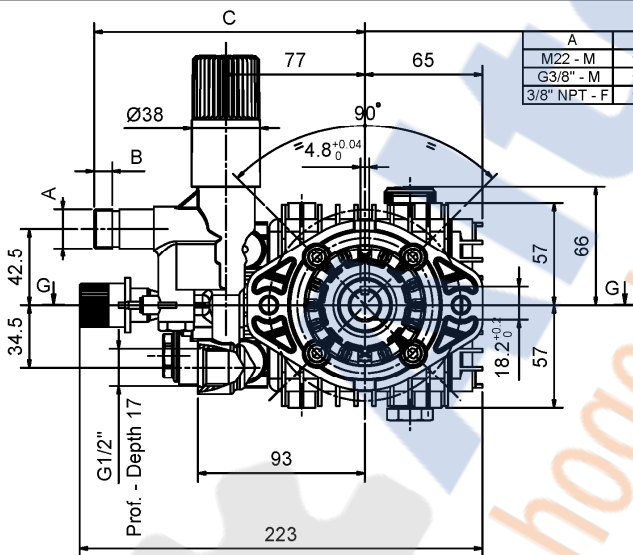


Sez. A-A



COD. DIS. 51.2141.00

WW1513

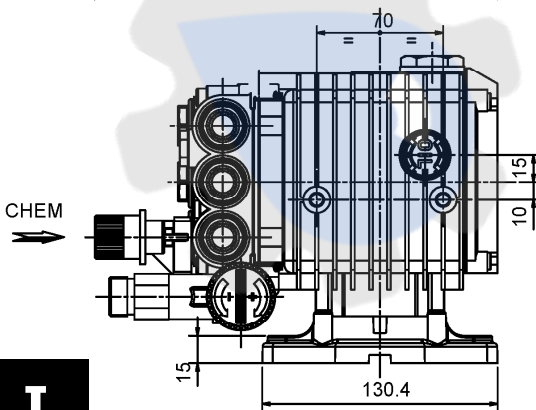
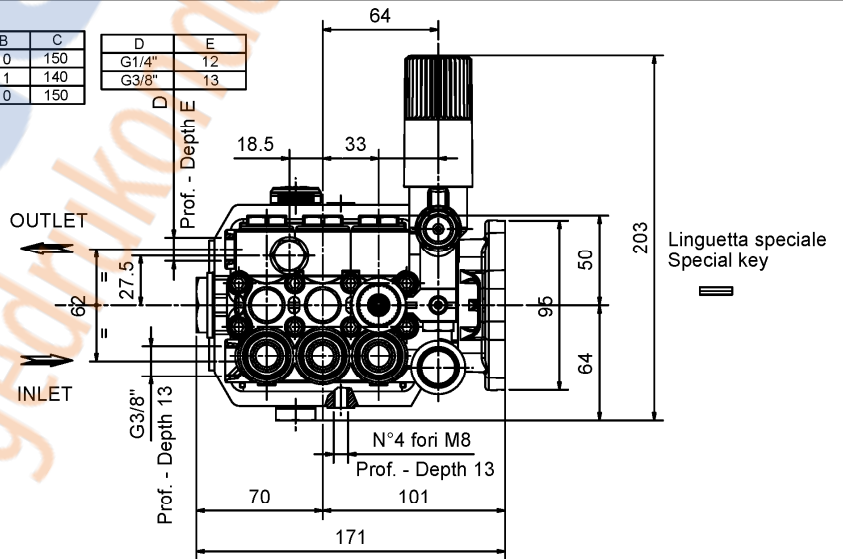


A	B	C
M22 - M	10	150
G3/8" - M	11	140
3/8" NPT - F	10	150

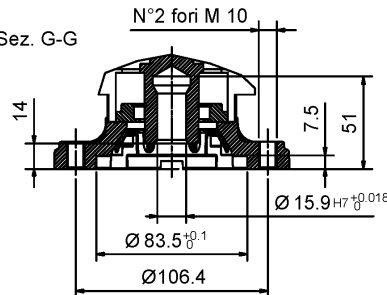
D	E
G1/4"	12
G3/8"	13

OUTLET

INLET



Sez. G-G



COD. DIS. 51.2166.00

VH VALVE